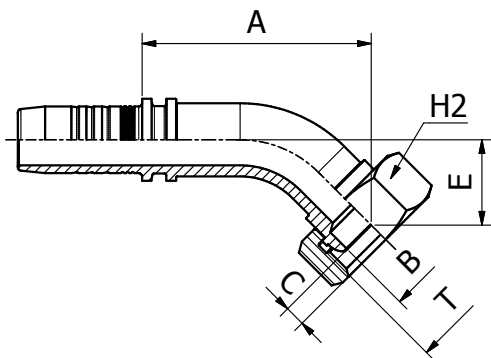


DIN STANDARD CONNECTIONS

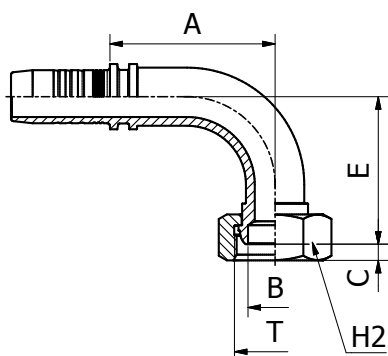


M21043

**45° METRIC FEMALE SWEPT ELBOW 60° CONE
DIN 20078/3863**

PART. REF.	HOSE BORE			Thread	DIMENSIONS mm						
	DN	Dash	inch		T	B	A	C	E	H2	
M21043-12-30	19	- 12	3/4"	M30 X 1.5	20.0	67.5	7.0	25.0	36.0		
M21043-16-38	25	- 16	1"	M38 X 1.5	26.0	81.0	7.5	28.0	46.0		

FITTINGS 154



DIN STANDARD CONNECTIONS

M21093

**90° METRIC FEMALE SWEPT ELBOW 60° CONE
DIN 20078/3863**

PART. REF.	HOSE BORE			Thread	DIMENSIONS mm						
	DN	Dash	inch		T	B	A	C	E	H2	
M21093-12-30	19	- 12	3/4"	M 30X1.5	20.0	61.0	6.0	54.5	36.0		
M21093-16-38	25	- 16	1"	M 38X1.5	26.0	76.5	7.5	63.0	46.0		
M21093-20-45	31	- 20	1.1/4"	M 45X1.5	33.0	92.0	8.0	81.0	50.0		